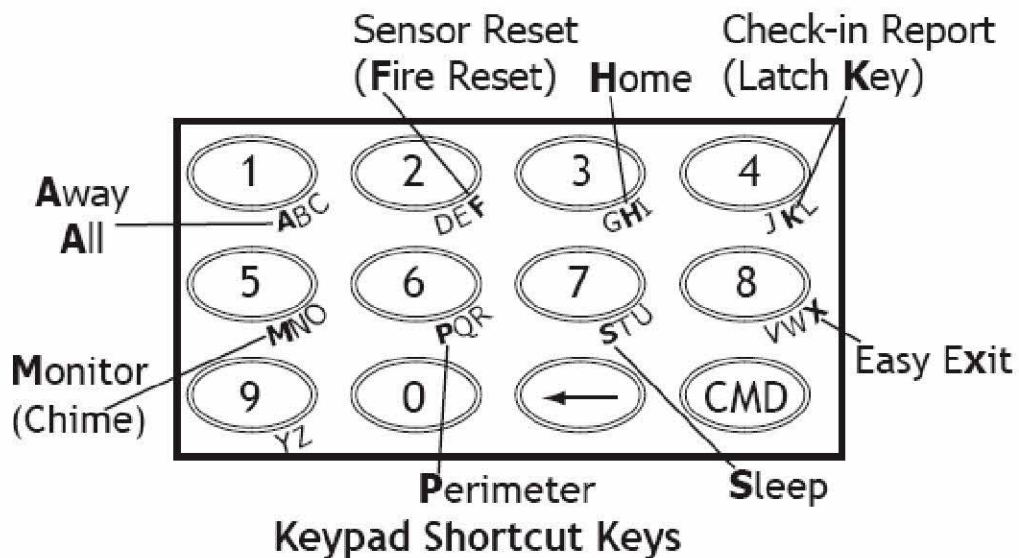


## Keypad Shortcut Keys

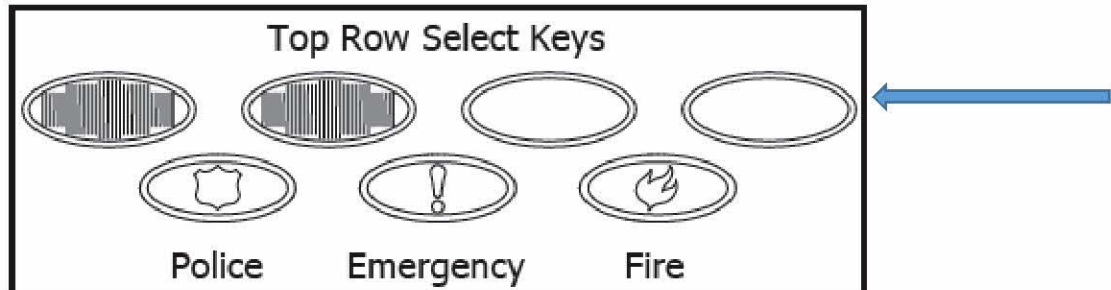
Your LCD keypad provides one-button shortcut keys. Holding down the selected keypad button for two seconds until the tone re-sound allows you to arm, monitor, or reset your system. These options can still be accessed through the User Menu if desired.

Keypad Key	Arming System Operation
Press Key 1	Arm Away for Home/Sleep/Away systems Arm All for All/Perimeter systems
Press Key 2	Sensor (Fire) Reset on all systems
Press Key 3	Arm Home for Home/Sleep/Away systems
Press Key 4	Check-in Report on all systems
Press Key 5	Monitor (Chime) on all systems
Press Key 6	Arm Perimeter for All/Perimeter systems
Press Key 7	Arm Sleep for Home/Sleep/Away systems
Press Key 8	Easy Exit for Home/Sleep/Away systems



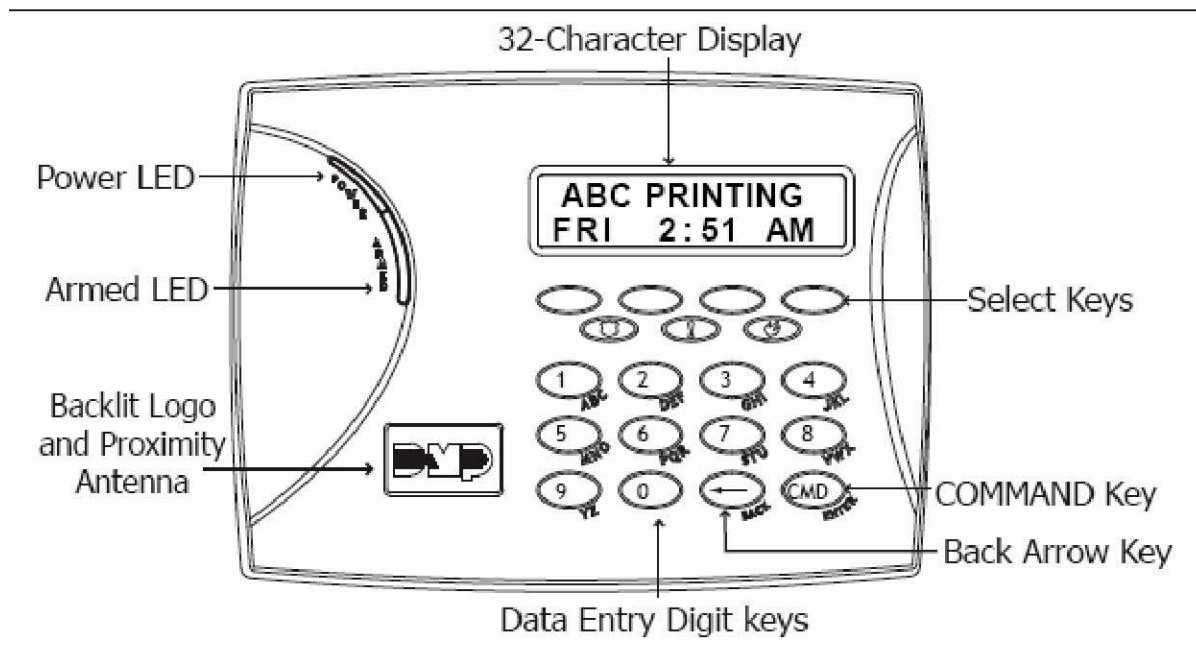
Customer can hit the top row Select Keys ONLY!

When trying to call Police, they will hit two buttons at one time from the Select menu.

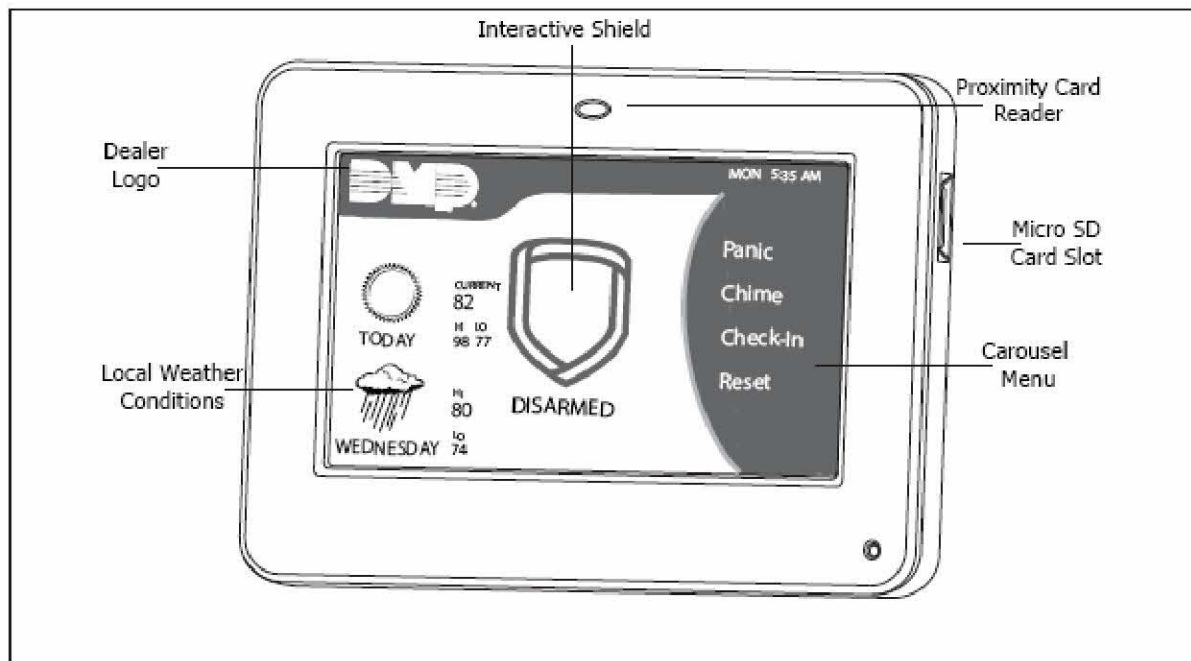


We may use one of these units with our customers. (If customer does not hit anything, it kicks them out)

1. Hit CMD key until it states Menu
2. Menu (Yes or No), Hit Last Select Key for Yes
3. Enter your Passcode
4. Hit CMD key repeatedly until the System Test
5. Hit any to row select key
6. Hit the back arrow key if he misses System Test
7. As soon as you hit top row select key, system will run through a series of steps to check
  - a. Battery, sensors, transmit test. etc.
8. A confirmation will come through – pass or fail on transmit test
9. Wait 5 seconds and it will kick you out or the back arrow key.



**Thinline™/Aqualite™ Keypad**



**Graphic Touchscreen Keypad**

---

## Silencing an Alarm

When the alarm bell or siren is sounding, enter your user code or present your card to a keypad or reader during the Status List display.

IS THIS A FALSE ALARM? YES NO or CANCEL VERIFY displays.

- If a burglar alarm is valid, press NO or VERIFY to send a verify message to the Central Station. The system will remain armed.
- If a valid alarm has not occurred, press YES or CANCEL to cancel the alarm and send an Abort or Cancel message to the Central Station and the security system will be disarmed.

**Note:** For **Area Systems**, this prompt is displayed only if the User Code has the authority to disarm the area.

### **What to do when a trouble tone is sounding**

You can silence the trouble tone by pressing any key. This only silences the keypad and does not correct the condition that originally caused the problem.

---